

BilliTM

NOT A SINK



Install Guide

Billi Alpine Sparkling

Installation requirements.

—Components for Alpine Sparkling

Before commencing installation, ensure you have identified the following:

1. Chilled water module
2. CO2 regulator and cylinder
3. 90° John Guest elbow
4. Filter module (including filter)
5. Slimline dual lever dispenser
6. 500kPa pressure limiting valve
7. White 1/4" tube x 3
8. Blue JG stop tap
9. Billi Alpine Sparkling user guide
10. Warranty registration card

—Determine Unit Location

Plan the installation. Dispenser tube lengths, position of power and water outlets, required air space around the underbench module and access for service must be considered before cutting tube lengths. Refer to Diagrams 1 and 3 for clearances around unit.

—Water Supply

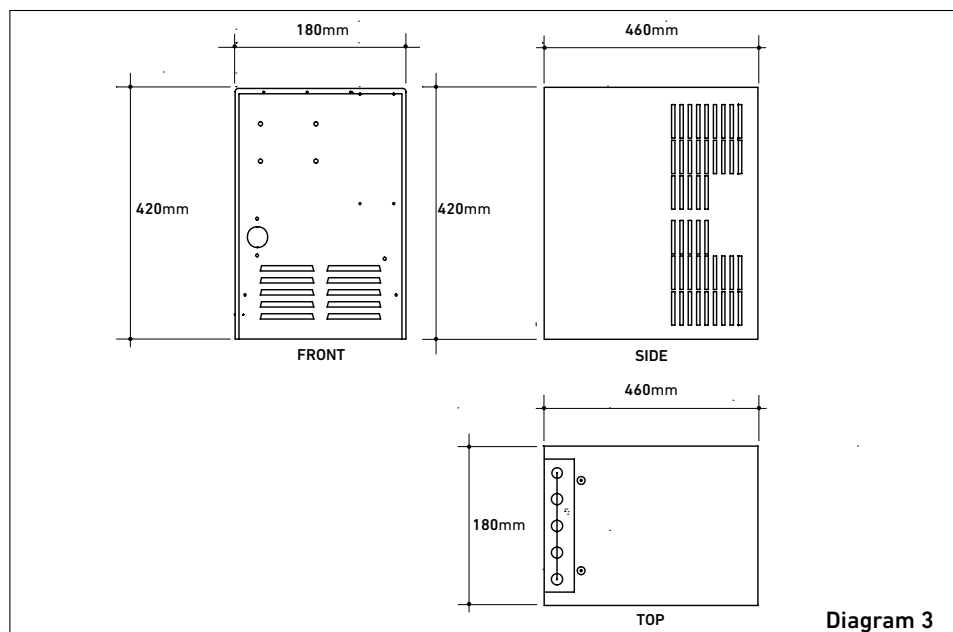
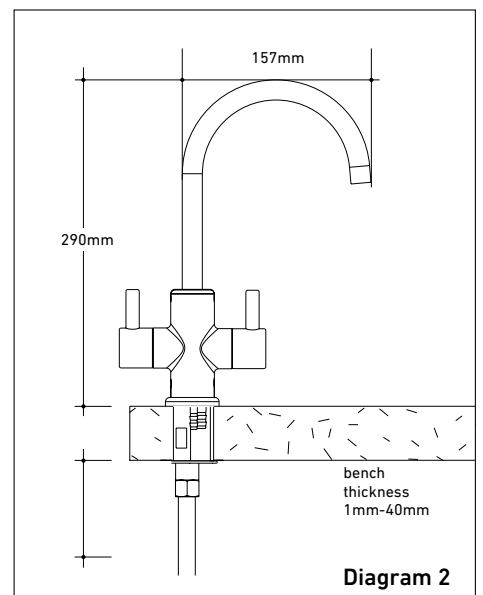
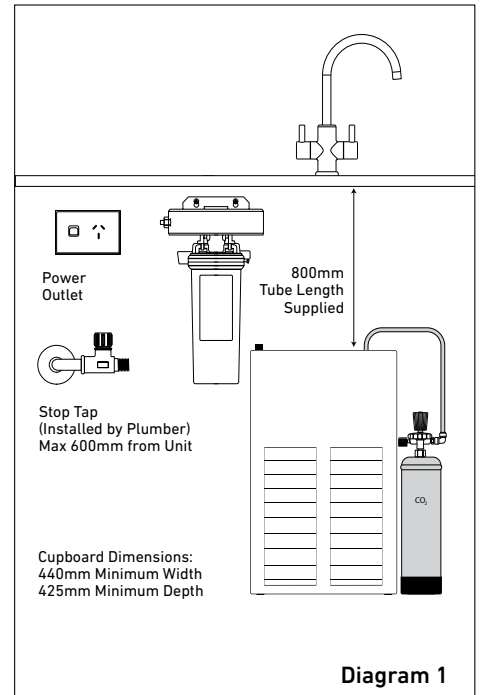
The Alpine Sparkling must only be connected to a cold water supply. A 1/2" BSP stop tap (not supplied) is to be installed in an easily accessible position within 600mm from the Alpine Sparkling water supply inlet.

Dynamic water supply pressure:
Min. 250kPa, max. 1000kPa.
Supply temp: min. 5°C, max. 30°C.

Do not install with water that is microbiologically unsafe or with water of unknown quality without adequate disinfection before or after the system. Systems certified for cyst reduction may be used on disinfected water that may contain filterable cysts.

—Power Requirements

A single 13 amp, 3 pin GPO is required. A dedicated circuit should be provided and must be fitted with an earth leakage protection device (RCD). An externally fitted RCD device is acceptable. Alpine Sparkling units are supplied with a 1 metre flex cord and plug.



Installing the unit.

IMPORTANT: the billi system is recommended to be installed on a safe tray in accordance with AS 3500.4 Clause.

1. Determine Component Location

A stop tap (not supplied) is to be installed in an easily accessible position for later service. Determine the location of each of the components, taking into account the tube lengths and space available. Refer to Diagrams 1 and 2.

2. Install Dispenser Tap Assembly

Determine position of dispenser mounting hole in sinktop or benchtop. Refer to Diagram 2 for clearances allowed. Hole size required is $\varnothing 22\text{mm}$.

- Screw the threaded stud into base of the tap.
- Slide chrome mounting base over tubes and up to the bottom of the tap making sure that the rubber ring is at the bottom.
- Mount the dispenser by passing the tubes through the hole and then fitting the crescent shaped washer over the threaded stud and then screwing the lock nut on to the stud
- Tighten the lock nut. Refer to Diagram 4.

3. Flush Water Supply

Flush water supply pipework before installing the underbench unit by running the supply tap into a bucket. Blockages/unit malfunction caused by debris are not covered under warranty.

4. Install Filter Module

Mount the Filter Module in an easily accessible position, preferably close to the front of the cupboard to allow for filter changes. The Filter Module can be mounted to the front of the Chilled Water Module using existing screws.

5. Install Chilled Water Module

Take care to observe minimum clearances. Ensure there is adequate access to service the unit – refer Diagram 1 and 3.

6. Connect Components

—Stop Tap to Filter Module

- Connect the Pressure Limiting Valve (with blue John Guest tap) to the mains water supply.
- Connect one end of the white hose provided to the blue JG tap.
- Connect the other end of the white hose to the Filter Module fitting labeled "IN".

—Filter Module to Chilled Water Module

- Connect one end of white hose provided to the Filter Module fitting labeled "OUT".
- Connect the other end of the white hose to the Chilled Water Module fitting labelled "WATER SUPPLY INLET".

—Chilled Water Module to Dispenser

- Connect blue dispenser tube to Chilled Water Module fitting labelled "CHILLED WATER OUT"
- Connect white dispenser tube to Chilled

Water Module fitting labelled "SODA WATER OUT"

—CO2 Cylinder to Chilled Water Module

- Push the 90° John Guest elbow on to the CO2 regulator.
- Connect one end of white hose provided to the John Guest elbow.
- Connect the other end of the white hose to the Chilled Water Module fitting labelled "CO2 INLET".
- Screw CO2 cylinder into CO2 regulator. Some gas will escape during this process.

All tube connections are made using push-fit connectors. Trim tubes to correct lengths. Tubes should be cleanly cut square using a sharp knife or plastic tube cutter. Ensure that tube ends are round and not flattened or kinked, then push into connectors firmly until properly seated (to release, press the outer ring in while pulling gently on the tube). Minimising the tube lengths will improve the performance of the chilled and sparkling water.

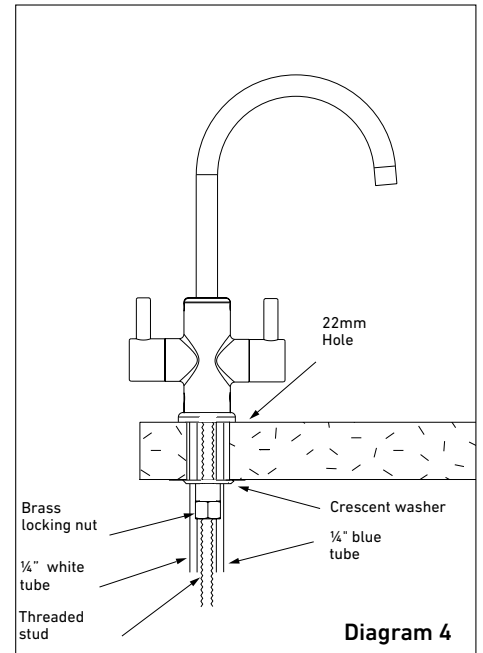


Diagram 4

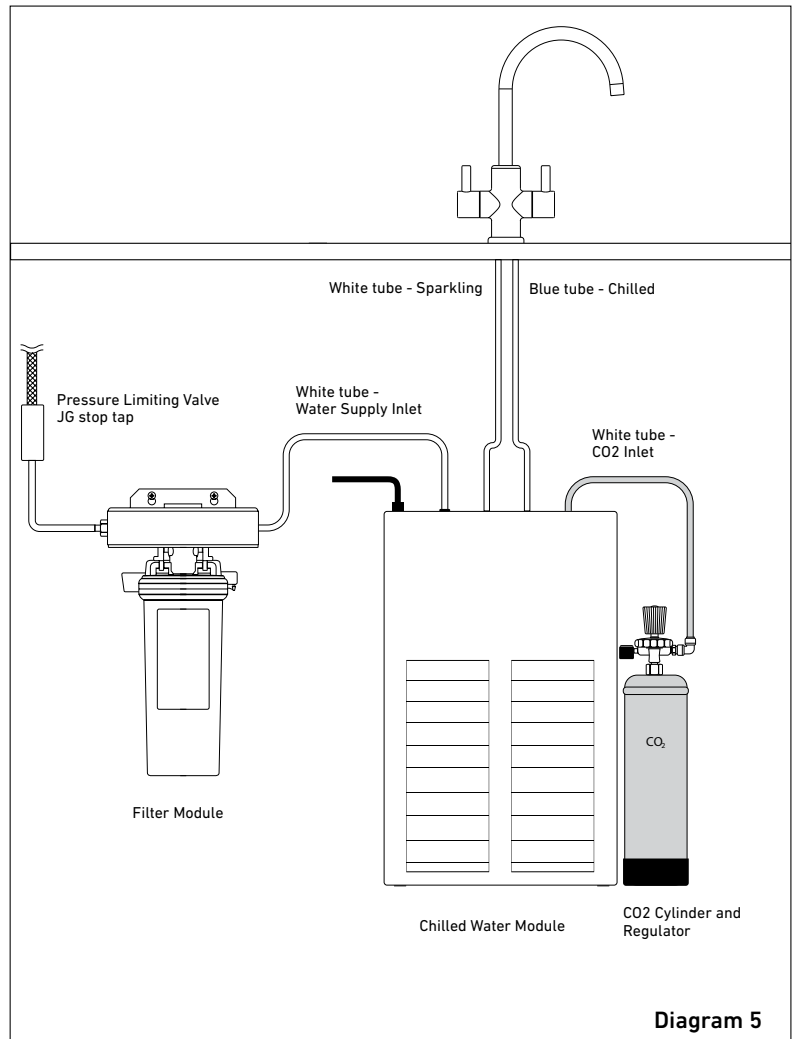


Diagram 5

1. Turn on Water Supply

- a) Turn on water supply stop tap.
- b) Turn on blue JG tap.
- c) Turn on chilled water tap lever. After water flows from outlet, release lever and ensure that there are no leaks. Pull lever again and run for at least 5 minutes.

Note: There may be air bubbles in the water at first as the filter is dry.

2. Connect and Turn on Electricity Supply

3. Set Chilled Water Temperature

Set the desired water temperature using temperature control knob. Refer to Billi Alpine Sparkling User Guide.

4. Set Carbonation Level

- a) Open the CO2 regulator by turning the black knob clockwise.
- b) Set the initial pressure to around 2 Bar.
- c) Wait for the unit to come back to temperature.
- d) Increase the pressure to set your level of carbonation. Initial set point may vary once the unit is running, you may need to reset the pressure once the system has stabilised.

WARNING: Do not set the pressure above 5 Bar

5. Re-check Connections for Leaks

6. Explain Operation to User

For continued safety of this appliance it must be installed, operated and maintained in accordance with the manufacturer's instructions.

- Your appliance should be installed by a suitably qualified tradesperson.
- For correct operation of this appliance it is essential to observe the instructions as outlined in this booklet.
- Filter replacement must be performed at intervals of not more than 6 months.
- Use this appliance only as directed in these instructions and only for its designed purpose.
- This appliance is not intended for use by persons (including children) with reduced physical, sensory or mental capabilities, or lack of experience and knowledge, unless they have been given supervision or instruction concerning use of the appliance by a person responsible for their safety.
- Children should be supervised to ensure that they do not play with the appliance.
- DANGER: The operation of the thermal cut-out indicates a possibly dangerous situation. Do not reset the thermal cut-out until the water heater has been serviced by a qualified person.
- WARNING: Do not connect any restrictor or pressure relief device to the vent pipe of this water heater if installed.
- If the supply cord is damaged, it must be replaced by the manufacturer, its service agent or similarly qualified persons in order to avoid a hazard.
- New hose-sets supplied with the appliance are to be used and old hose-sets should not be re-used.

If any problems or difficulties arise contact **Billi UK Limited** on 020 7456 6789. To validate your warranty refer to the warranty card or validate online at **www.billi-uk.com**.

For information on our filtration and service contracts please contact Billi Customer Service on 020 7456 6789 or **client.care@billi-uk.com**.