

HOME DATA SHEET

Home FT Extended Spout Square



Billi®

Billi Billi Home FT Extended Spout Square Dispenser

Instant filtered water on tap. The Home FT offers the convenience of filtered still drinking water along with elegant functional design. The Home FT is ideal for cooking & food preparation and drinking water filtration.

Supplied standard with 994052 sub-micron filtration from BWT to deliver the freshest tasting water and ensure the health of your family & guests.



Extended Spout Square Dispenser



Underbench Filter Housing



Features



UNLIMITED FILTERED WATER



SPACE SAVING DESIGN



RANGE OF FINISHES



AUSTRALIAN DESIGNED & MADE



EASY INSTALLATION

PRODUCT SPECIFICATIONS

Water type	Product code	Model name	Dispenser	Suggested usage
	911000E	Home FT	Extended Spout Square Dispenser	<ul style="list-style-type: none"> • Drinking water filtration • Cooking & Food preparation

Accessories

992810 - Slimline Font

990724 - Tubing Extension Kit for Slimline 2mtrs



Finishes

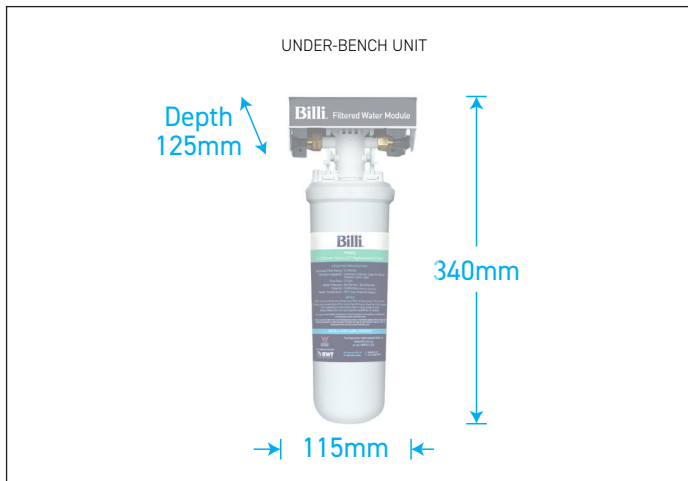
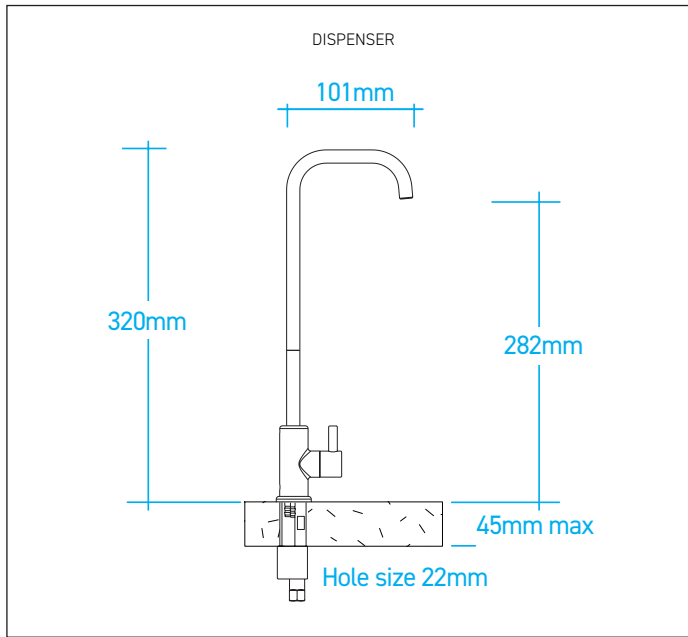
Standard Finishes



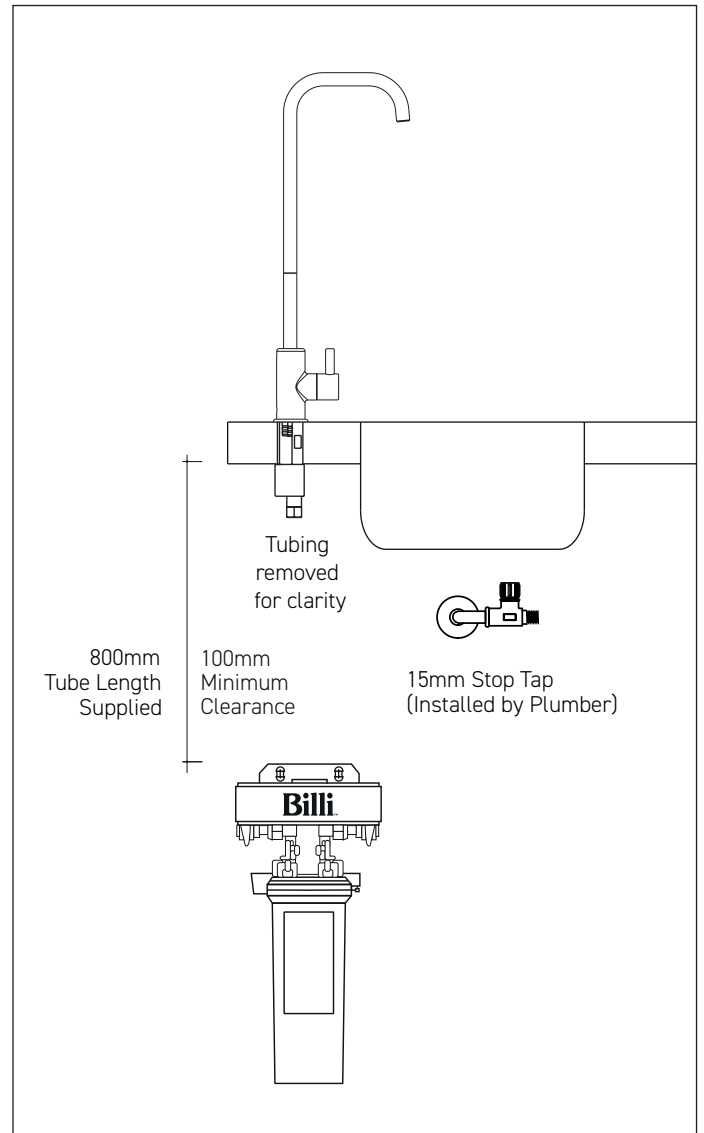
Add the Finish code to the Product Code to finalise your specification, eg. 932210EMB

TECHNICAL DRAWING & INSTALLATION REQUIREMENTS

PRODUCT DIMENSIONS



PREFERRED INSTALLATION LAYOUT



WATER SUPPLY

A single 1/2" BSP (15mm) stop-tap with a male thread should be installed in an easily accessible position. Water supply must be microbiologically safe to drink, with a minimum dynamic water pressure of 250kPa and a maximum of 1000kPa.

FILTRATION

Billi's range of premium filters utilise BWT's unique Fibron X technology. Billi's filter range provides superior taste, water quality, consistent filter life and peace of mind when it comes to hygiene.

Filter supplied: 994052 (0.2 micron). Replacement filters available: 994051 (5 micron option), 994054 (HSD option), 994055 (XPHSD

Fibron XP), 994056 (Sediment only) and 994060 (Micron HF Sediment Only).

CERTIFICATIONS

Every Billi drinking water appliance is manufactured under a certified quality control system. All Billi commercial range models have been tested and comply with all required standards including: Watermark: WM-021882; Certified to AS/NZ3498 and AS/NZ 4020; ISO9001:2015, QEC 11627; WELL Cornerstone Member.

WARRANTY

The Billi Home FT Range is covered by a comprehensive 2 year warranty on all parts and labour.

Billi®



Billi Australia Pty Ltd

P 1800 812 321
W www.billi.com.au

Billi New Zealand Ltd T/As Merquip

P 0800 636 0 636
W www.merquip.co.nz

visit us at

